



**Washable!**

# TITAN Mini Series

Trans-Industrial Technology Advanced Node

## HL-WP

Dust & Waterproof Digital Scales

**IP65**



**Stainless Steel Body**



# AND

A&D Australasia

"Excellence in Measurement"



**Food Service**



**Factory**

## Easy & simple to use for sanitary applications!

- Washable body IP65 (stainless steel body)
- Small-footprint
- 1/3000 high resolution  
(HL-300WP, HL-3000WP & HL-3000LWP)
- Portable  
(6 AA-type batteries, batteries not included)
- Stability indicator
- Tare function
- Auto power off
- AC adapter (optional)

### Specifications

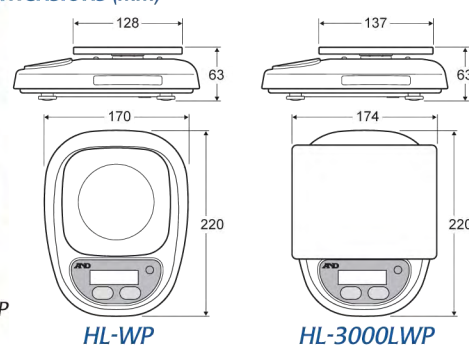
HL-WP	HL-300WP	HL-1000WP	HL-3000WP	HL-3000LWP
Capacity	300g	1000g	3000g	3000g
Resolution	0.1g	0.5g	1g	1g
Display	12mm height, 7 segment Liquid Crystal Display			
Display update	Approx. 4 times per second			
Pan size	128(W) x 128(D)mm 5.04(W) x 5.04(D)inches		174(W) x 137(D)mm 6.85(W) x 5.39(D)inches	
Dimensions	170(W) x 220(D) x 63(H)mm 6.68(W) x 8.64(D) x 2.50(H)inches		174(W) x 220(D) x 63(H)mm 6.8(W) x 8.6(D) x 2.50(H)inches	
Battery life (approx.)	Approx. 100 hours with manganese, 200 hours with alkaline			
Weight (approx.)	Approx. 870g		Approx. 950g	
Power	6 x R6P / LR6 / "AA" size batteries or AC adapter			

*Specifications subject to change for improvement without notice.*

### Accessories

AX-TB125 AC Adapter AC200~240V 'C'plug  
 AX-TB126 AC Adapter AC200~240V 'BF/S'no'plug  
 AX-TB196 AC Adapter AC100V  
 AX-TB202 AC Adapter AC120V

### Dimensions (mm)



Model	Capacity & Resolution
<b>HL-300WP</b>	<b>300g x 0.1g</b>
<b>HL-1000WP</b>	<b>1000g x 0.5g</b>
<b>HL-3000WP</b>	<b>3000g x 1g</b>
<b>HL-3000LWP</b>	<b>3000g x 1g</b>



### TITAN Family

**TITAN** Compact Series  
**SK-WP**  
 Dust & Waterproof Digital Scales



Model	Capacity & Resolution
<b>SK-1000WP</b>	<b>1000g x 0.5g</b>
<b>SK-2000WP</b>	<b>2000g x 1g</b>
<b>SK-5000WP</b>	<b>5000g x 2g</b>
<b>SK-5001WP</b>	<b>5000g x 1g</b>
<b>SK-10KWP</b>	<b>10kg x 0.005kg</b>
<b>SK-20KWP</b>	<b>20kg x 0.01kg</b>

Pan size: 232(W)x192(D)mm

**AND**  
 A&D Australasia

"Excellence in Measurement"

ACN 26 007 556 809

Head Office  
 32 Dew Street  
 THEBARTON South Australia 5031  
 Telephone (08) 8301 8100  
 Facsimile (08) 8352 7409

Victorian Office  
 39 Bakehouse Road  
 KENSINGTON Victoria 3031  
 Telephone (03) 9371 1555  
 Facsimile (03) 9372 1193

New South Wales Office  
 Unit 4, 14 Abbott Road  
 SEVEN HILLS New South Wales 2147  
 Telephone (02) 9674 5466  
 Facsimile (02) 9674 2544

sales@andweighing.com.au  
 www.andweighing.com.au

Your Dealer